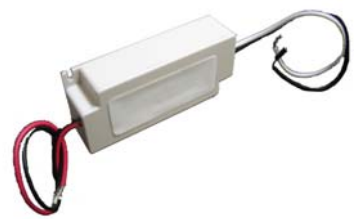


A017L24C070-1

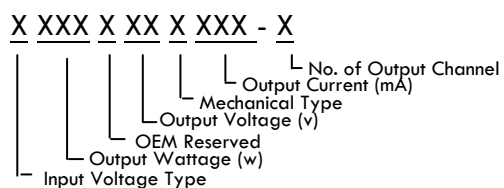


Features

- Wide range **90 ~ 277VAC (normal)** input voltages with **Constant Current** output, suitable for remote locations.
- Fully encapsulated with **IP65** level compliant, suitable for damp or wet locations.
- Reliability **Protections**: short circuit/over current/over voltage/over temperature
- **High Efficiency**, low heat generated. Cooling by convection air.
- 100% full load QC burn-in test
- High reliability/ **low cost**
- One-year warranty



Order Information



Specifications

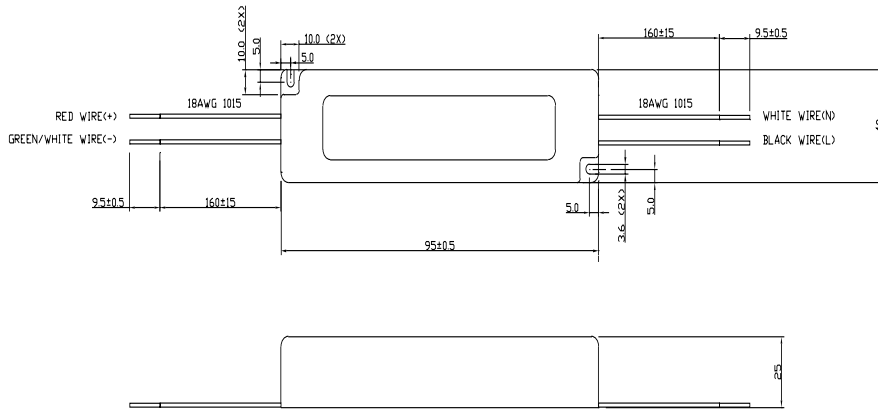
Application – Street/Architecture LED Lighting



MODEL No.	A017L24C070-1	
OUTPUT	DC VOLTAGE Rated/Range	24 / 18 ~ 24V
	RATED CURRENT	700mA
	CURRENT RANGE	0 ~ 700mA
	RATED POWER	17W
	RIPPLE & NOISE (max.) note.2	120mVp-p
	VOLTAGE TOLERANCE note.3	± 3.0%
	LINE REGULATION	± 1.0%
	LOAD REGULATION	± 2.0%
SETUP, RISE TIME	1500ms, 30ms/115VAC	
INPUT	VOLTAGE RANGE	85 ~ 305VAC (Max.), 90 ~ 277VAC (Normal)
	FREQUENCY RANGE	47 ~ 63Hz
	EFFICIENCY(Typ.)	84%
	AC CURRENT	0.5A/115VAC
	INRUSH CURRENT(Max.)	cold start 40A/115VAC
LEAKAGE CURRENT	0.25mA/115VAC	
PROTECTION	OVER CURRENT	ABOVE 120% rated output power
	OVER VOLTAGE	Protection Type: Hiccup mode, recovers automatically after fault condition is removed.
	OVER TEMPERATURE	Protection Type: Shut off o/p voltage, clamping by zener diode 95°C typically (U1) detect on main control IC Protection type: Shut down, recovers automatically after temperature drop below 63°C
ENVIRONMENT	WORKING TEMP.	-30 ~ 70°C (Refer to output load derating curve)
	WORKING HUMIDITY	5 ~ 95% RH non-condensing
	STORAGE TEMP., HUMIDITY	-40 ~ +80°C, 10 ~ 95% RH
	TEMP. COEFFICIENT	± 0.03%/°C (0~ 50°C)
VIBRATION	1.0mm, 10-55Hz, 15 minutes per cycle for each axis (X, Y, Z)	
SAFETY & EMC	SAFETY STANDARDS	Design refer to UL1310 Class 2, TUV EN60950-1, EN61347-2-13, CAN/CSA, IP65 approved
	WITHSTAND VOLTAGE	I/P-O/P:3750VAC
	ISOLATION RESISTANCE	I/P-O/P>100M Ohms / 500VDC / 25°C / 70%RH
	EMI CONDUCTION & RADIATION	Compliance to EN55015, FCC, 47 CFR, Part 15, class B
	HARMONIC CURRENT	Compliance to EN61000-3-2,-3
FMS IMMUNITY	Compliance to EN61000-4-2,3,4,5,6,8,11	
OTHERS	MTBF	100Khrs min. MIL-STD-217F(25°C)
	DIMENSION (LxWxH)	140 x 30 x 20 (mm)
	PACKING	0.175KG; 70 pcs /13.3Kgs / 0.66CUFT
NOTE	1. All parameters NOT specially mentioned are measured at 115VAC input, rated load and 25°C of ambient temperature. 2. Ripple & noise are measured at 20 MHz of bandwidth by using a 12" twisted pair-wire terminated with a 0.1uf & 47uf parallel capacitor. 3. Tolerance: includes set up tolerance, line regulation and load regulation. 4. The power supply is considered a component which will be installed a final equipment. The final equipment must be re-confirmed that is still meets EMC directive.	

Mechanical Drawing

Unit: mm



Notes

- Specification subject to change without notice.
- All company logo and legal name belong to original company. All copyright reserved by Enhance Electronics.
- One-Year Standard Warranty
- Last Update: 10/9/2009